

# Power Line Filter DL-6DZ2R

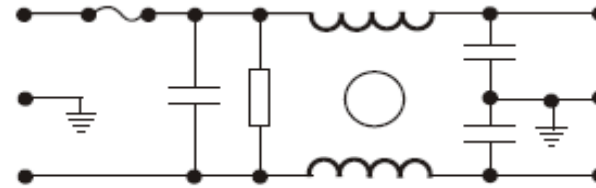
Datasheet

## Technical Data

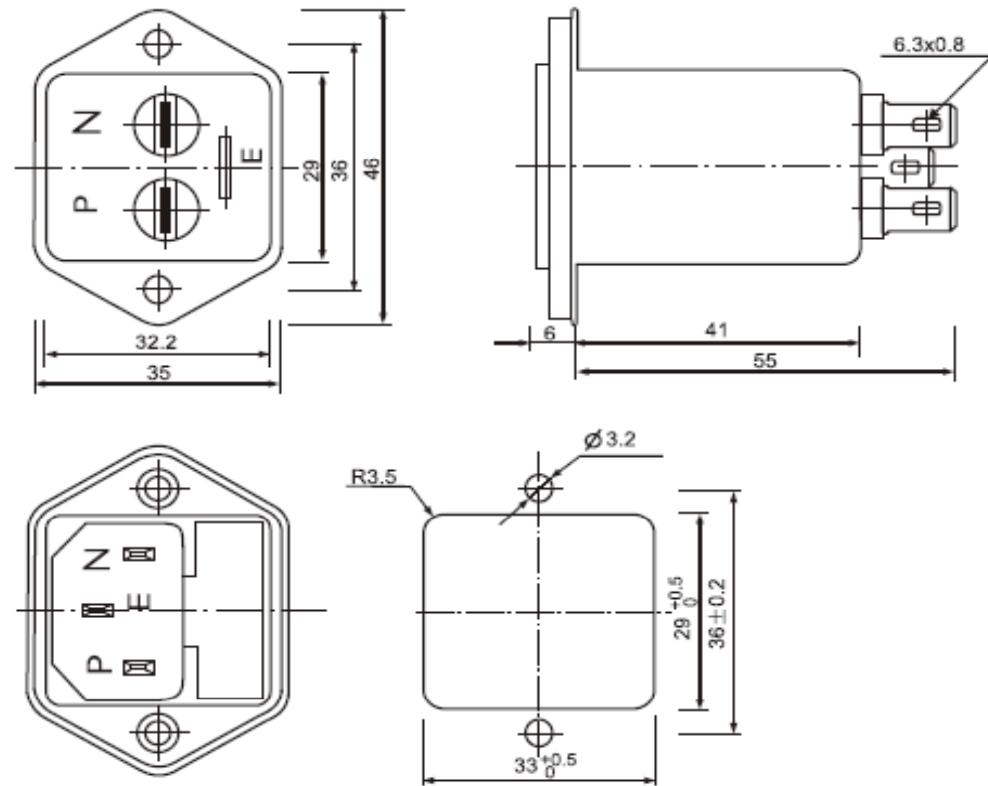
Rate Voltage	250VAC
Operating Frequency	50/60Hz
Test Voltage(1min)	1500VDC (line/line) 1500VAC (line/ground)
Climatic Category	25/085/21
Rated Current	6A
Ground Capacitance	2.2nF
Leakage Current	≤0.5 mA
Discharge Resistance	1MΩ



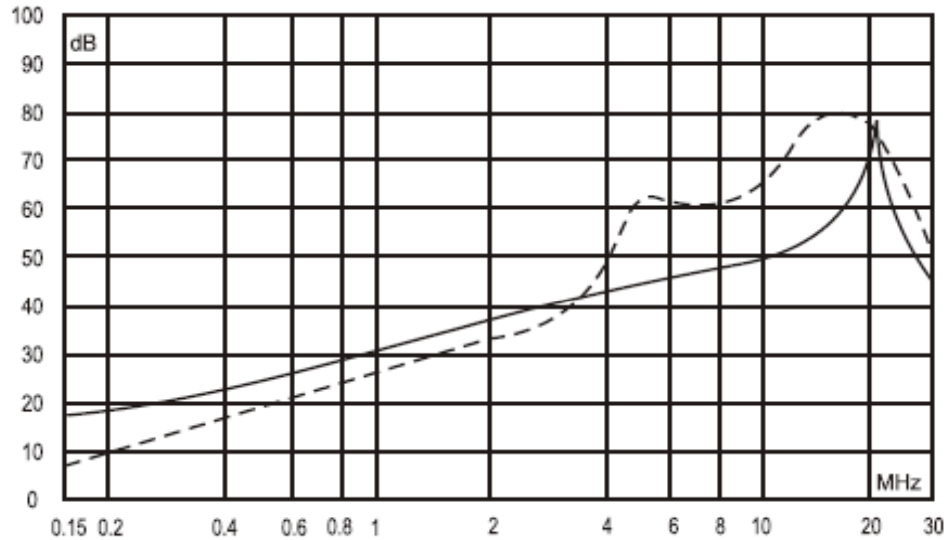
## Typical Circuit Diagram



## Outline Drawing and Dimensions (mm)



## Insertion Loss in dB



Common Mode  
 Differential Mode