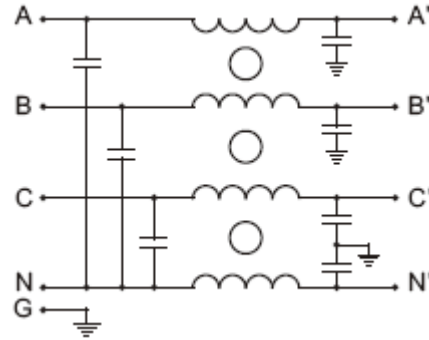


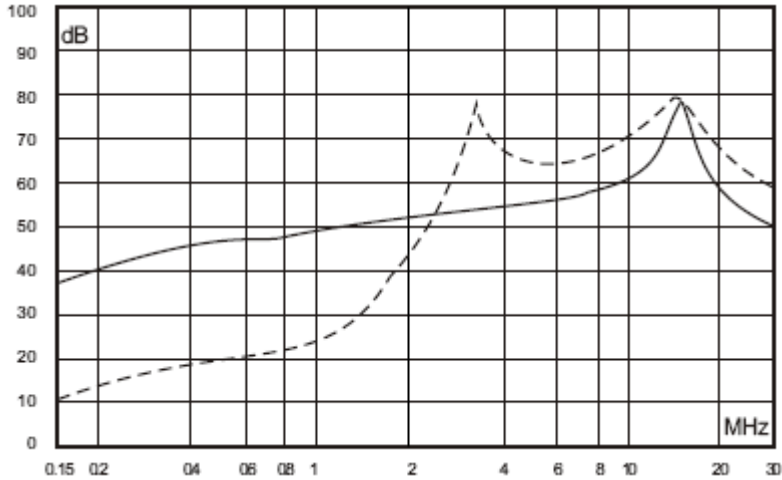
Technical Data

Rate Voltage	250/440VAC
Operating Frequency	50/60Hz
Test Voltage(1min)	1500VDC (line/line) 2250VDC (line/ground)
Climatic Category	25/085/21
Rated Current	5A
Ground Capacitance	6.8nF
Discharge Resistance	-

Typical Circuit Diagram



Insertion Loss in dB



— Common Mode
 - - - - Differential Mode

Outline Drawing and Dimensions (mm)

