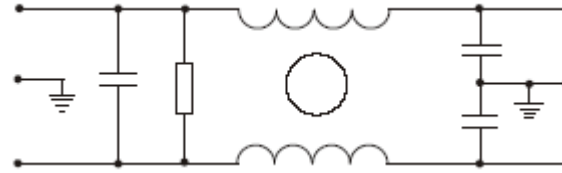


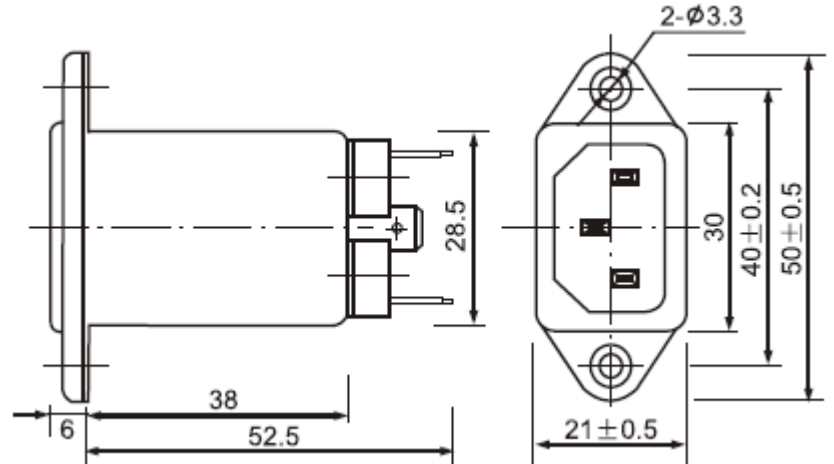
Technical Data

Rate Voltage	250VAC
Operating Frequency	50/60Hz
Test Voltage(1min)	1500VDC (line/line) 1500VAC (line/ground)
Climatic Category	25/085/21
Rated Current	1A
Ground Capacitance	2.2nF
Leakage Current	0.5 mA
Discharge Resistance	-

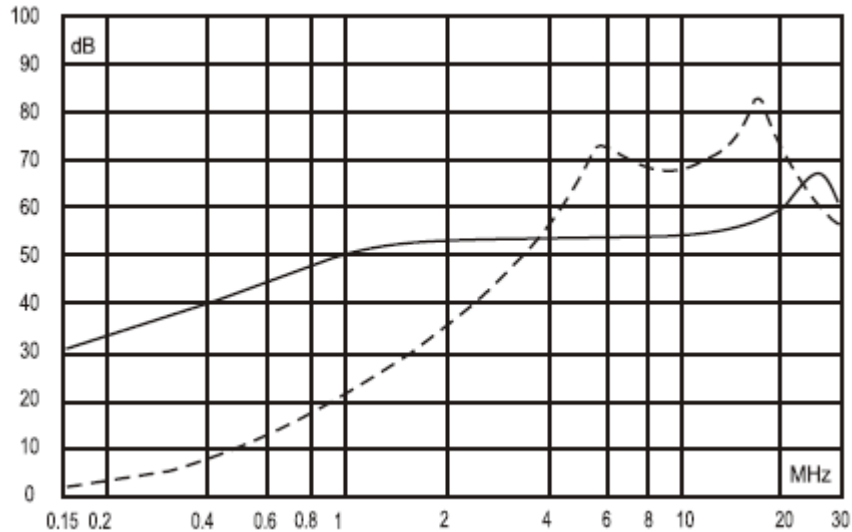
Typical Circuit Diagram



Outline Drawing and Dimensions (mm)



Insertion Loss in dB



— Common Mode
 - - - - Differential Mode